



Sampling Ball Valve

S4

PVC

DATASHEET

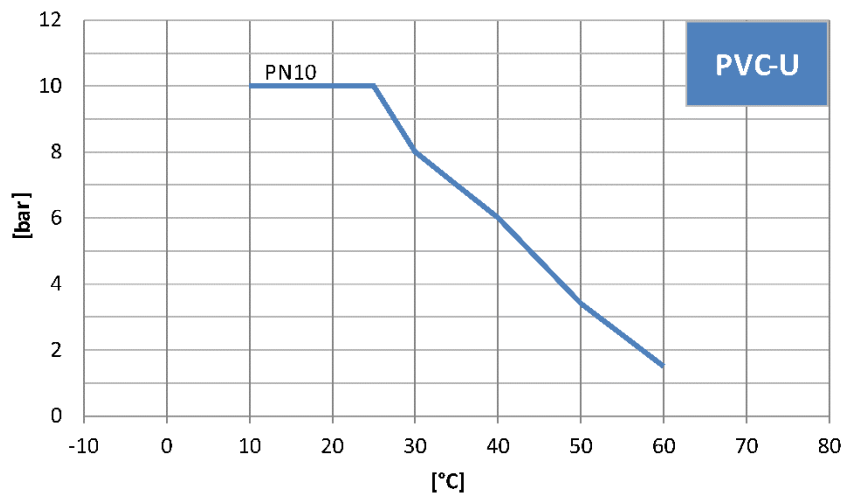
Overview

General

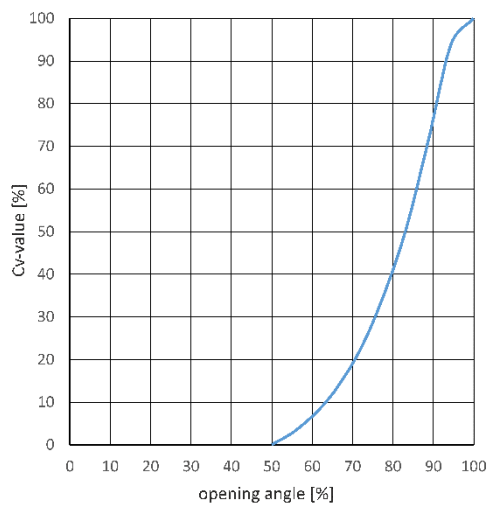
Material	Body material Seal material Ball Seat	PVC-U EPDM / FPM PTFE
Dimensions	DN6	
Connector types	Body Hose nozzle (Male Thread) Hose nozzle (Female Thread) Double nipple Plug	BSP / NPT BSP / NPT BSP / NPT BSP / NPT NPT / NPT BSP
Operating pressure	DN6	PN10

Technical data

Pressure – temperature – diagram



Flow characteristics



Kv-value-table

Pressure loss	DN6
1,0 bar	2,17

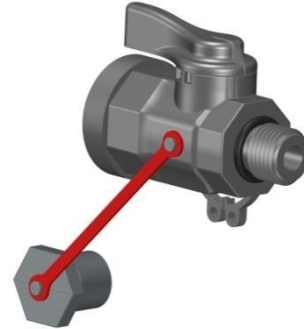
specification in l/min (PN16 pipe)

The values of the pressure-temperature-diagram are based on a service life of 25 years at static pressure load and apply to water or water-like media.

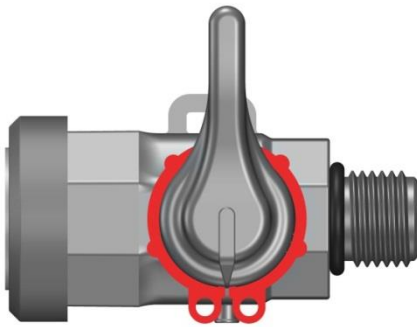
Additional features:



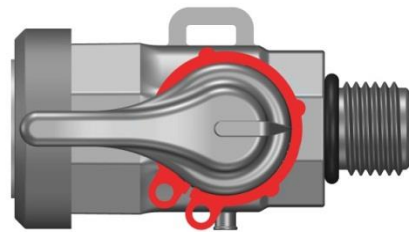
When not in use, lock and metering ring can be hanged on sampling ball valve body



When not in use, plug can be fixed with the clip tie on the sampling ball valve body.



In closed position, the lock and metering ring protects the valve against unwarranted opening.



In open position, the locking ring protects the valve against unwarranted closing.

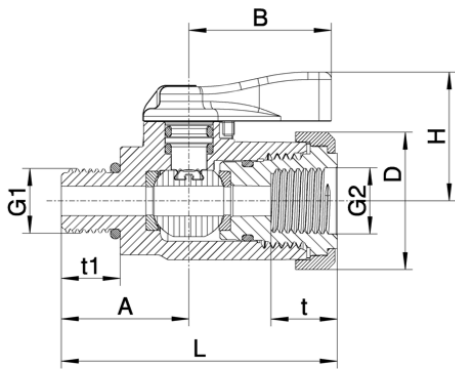


The sampling ball valve can be installed on the pipeline with a wrench SW22 or SW24.

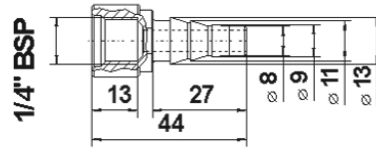


The three metering marks serves as guidance for flow regulation.

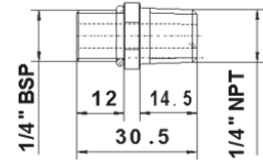
Dimensions hand operated



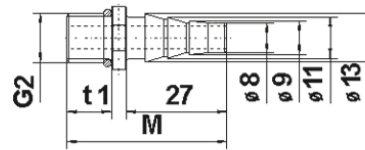
Laboratory ball valve



Hose nozzle female thread



Double nipple



Hose nozzle male thread

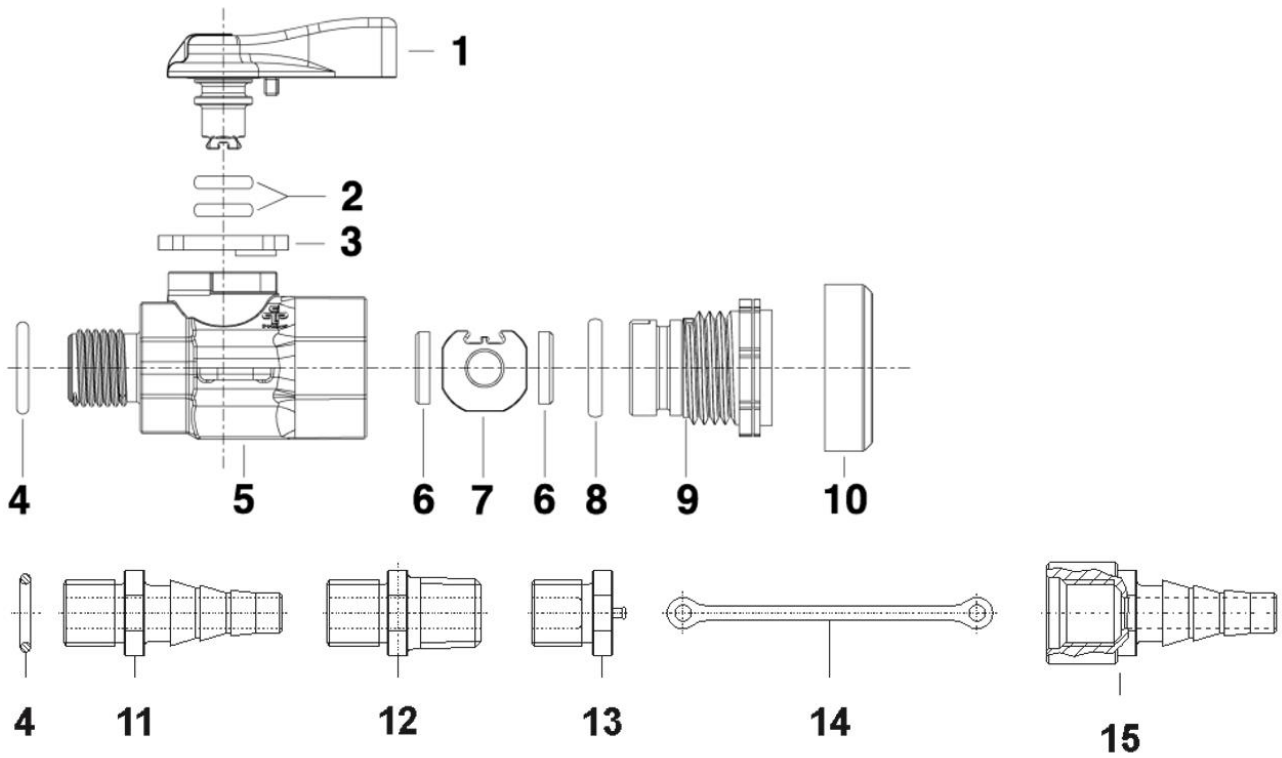


Plug

(dimensions in mm)

G1	G2*	A	B	D	H	L	M	N	T	T1	PN
1/4" BSP	1/4" BSP	26	29	28	26,5	56	43	16	13,5	12	10
3/8" BSP	1/4" BSP	26	29	28	26,5	56	43	16	13,5	12	10
1/4" NPT	1/4" NPT	28,5	29	28	26,5	58,5	45,5	18,5	13,5	14,5	10

Exploded drawing hand operated



No.	Description	Material
01.	Handle	PVC-U
02.	O-ring	EPDM / FPM
03.	Lock and metering ring	POM
04.	O-ring	EPDM / FPM
05.	Body	PVC-U
06.	Ball seating joint	PTFE
07.	Ball	PVC-U
08.	O-ring	EPDM / FPM
09.	Thrust collar	PVC-U
10.	Circlip	POM
11.	Hose nozzle male thread	PVC-U
12.	Double nipple	PVC-U
13.	Plug	PVC-U
14.	Clip tie	
15.	Hose nozzle female thread	PVC-U

Accessories / spare parts

Hose nozzle female thread

Material

- PVC-U

Seal*

- EPDM
- FPM

Norm

- BSP
- NPT



Hose nozzle male thread

Material

- PVC-U

Seal*

- EPDM
- FPM

Norm

- BSP
- NPT



Plug

Material

- PVC-U

Seal*

- EPDM
- FPM

Norm

- BSP
- NPT



Double nipple

Material

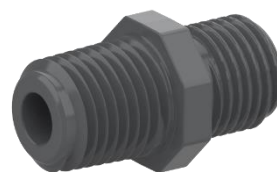
- PVC-U

Seal*

- EPDM
- FPM

Norm

- BSP
- NPT



*not included in the scope of delivery

Praher Plastics Austria GmbH

Poneggenstraße 5
4311 Schwertberg
Österreich

T +43 7262 61178-0
F +43 7262 61203
sales@praherplastics.com



<https://youtu.be/05QkA8P7auc>

© Praher Plastics Austria GmbH
Zertifiziert nach / certified acc. to
EN ISO 9001:2015

DB/DEEN/23/10/324C

Diese Druckschrift enthält keine
Gewährleistungszusagen, sondern will lediglich
eine erste Information vermitteln. Das Programm
wird ständig erweitert, daher entsprechen die
Ausführungen und Typen dem Stand bei
Drucklegung. Technische Änderungen
vorbehalten!

This document contains no warranties, but
simply conveys initial information. The program
is constantly expanding and therefore the
versions and types correspond to the state on
the date of printing. Subject to technical
changes!



www.praher-plastics.com